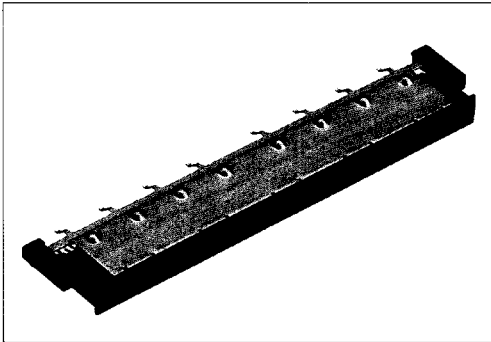


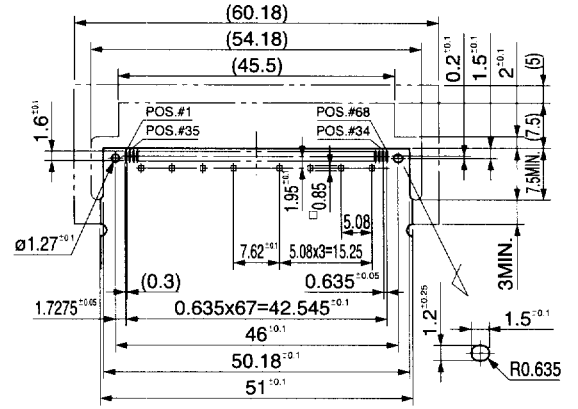
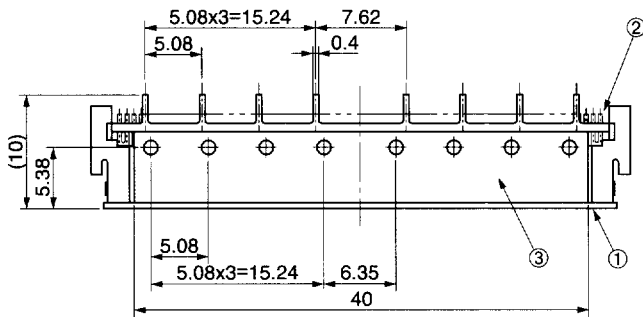
Right-angle SMT female connector for Card Bus PC card
ICMB-68FYGC-OM()



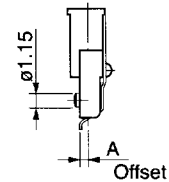
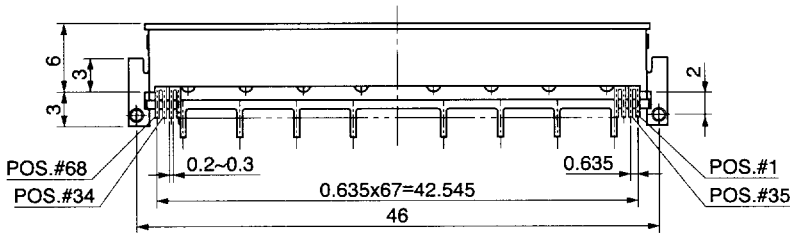
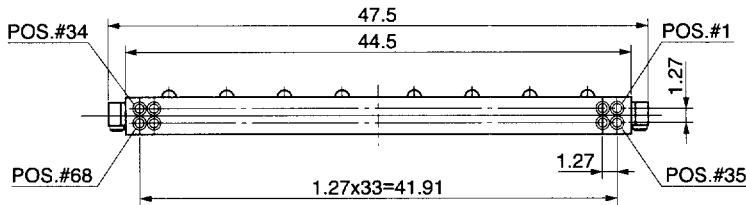
● Configuration of product Part No.
ICMB- 68 FYGC- OM()

- ① Series name
② No. of contacts: 68
③ Form of contacts: SMT type, female
④ Offset: 00: 0 mm
03: 0.3 mm
06: 0.6 mm
09: 0.9 mm

ICMB



PCB dimensions for reference purposes



● Components

- ① Insulator
- ② Contacts
- ③ Shield Plates

The connectors and shield plates can be separately supplied.

● Dimensions

Part No.	A
ICMB-68FYGC-OM09	0.9
ICMB-68FYGC-OM06	0.6
ICMB-68FYGC-OM03	0.3
ICMB-68FYGC-OM00	0

Mating connectors: PC card slot side connector

For the combinations of I/O connectors, frames and metal covers, refer to "Combination of PC Card and Connectors" on page G-2.